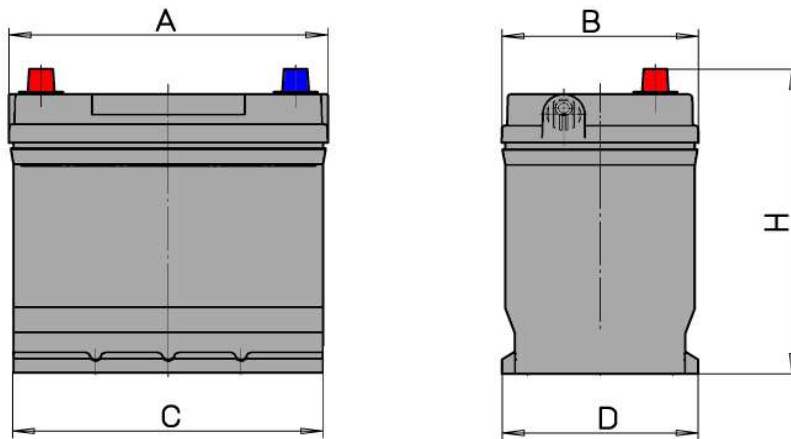


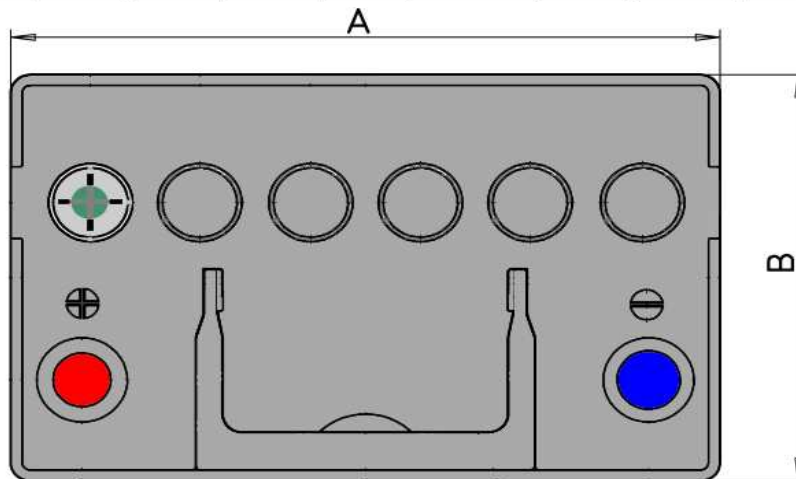
Battery Code

(5 45 79)

B425C



DIMENSIONI BATTERIE					MONOBLOCCO		COPERCHIO	
A	B	C	D	H	TIPO	PAG.	TIPO	
219	135	217	135	225	E2 ASIA		Piano-K-MG	



BATTERY: maintenance free realized with Low Content Antimony Lead Alloys according to DIN norm or Lead-Tin-Calcium Alloy.

MATERIAL: box and lid in polypropylene copolymer

COLOUR: box = Black

COLOUR: lid = Black

PLATES: enveloped with polyethylene separators

WEIGHT: Dry battery, approx. **Kg. 8,2**

WEIGHT: Wet battery, approx. **Kg. 12,5**

SULPHURIC ACID DENSITY: 1,28 +/-0,01

Approx. = Lt 3,36

ALL VALUES are referred to the temperature of 25°

Remarks:

Wet Battery

Code Number	Voltage	Capacity	Cold Cranking Amperes at -18°			Reser.Cap.	Lid	Terminals	Layout	Pcs x Pallet
	V	Ah 20h	EN	IEC	DIN	minutes	x Box E2			
B425C (54579)	12	45	360		200	65 disch 25A	Kamina	1 Standard	1 Left + pole	25x3=75